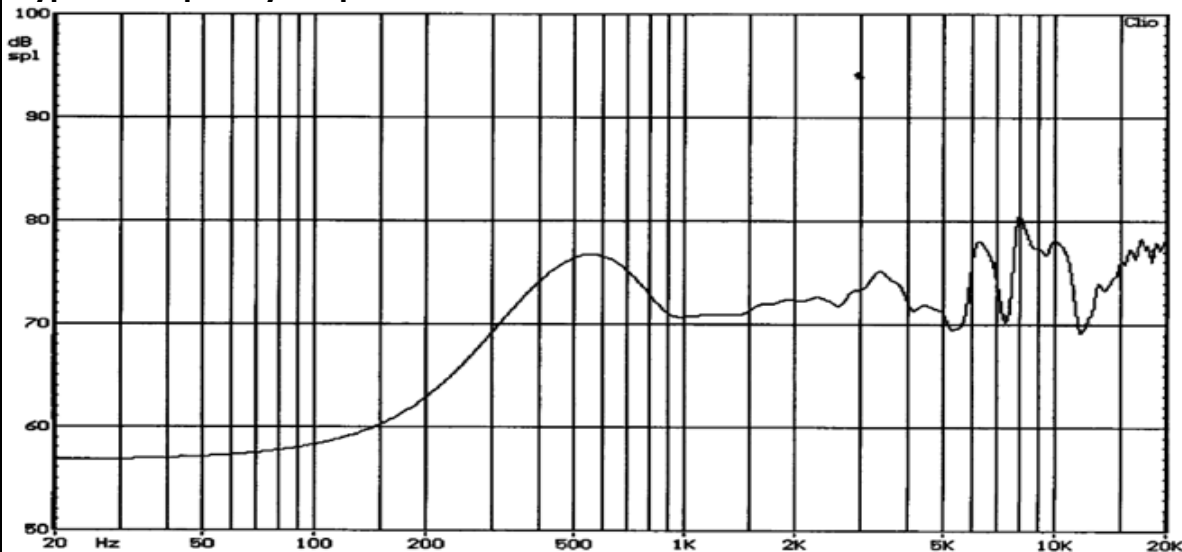


| MAIN APPLICATION | TYPE | MAGNET | |
|------------------|------|-----------|---------------------|
| Telecom | 34mm | Material | Magnet Size (Round) |
| | | Neodymium | Ø12.5x1.5mm |

| ITEM | SPECIFICATIONS | VALUES | TEST CONDITIONS |
|------|----------------------|---|-----------------------------------|
| 1 | Dimensions | Ø34mm | per mechanical Drawings |
| 2 | Impedance | 50Ω ±15% | 2kHz / 1.0V |
| 3 | Nominal Power | 0.3 Watts | |
| 4 | Max Power | 0.5 Watts | |
| 5 | Resonant Frequency | 450Hz ±20% | 1.0V |
| 6 | Sensitivity (S.P.L.) | 72dB ±3dB | 0.1W/1m, Average 0.8/1/1.2/1.5kHz |
| 7 | Frequency Response | 200Hz to 17KHz | 0.1W/1m; Tolerance Max 10dB |
| 8 | THD | 2,5% max | 1kHz 0.1W/0.1m |
| 9 | Storage Temperature | -25°C to +80°C guaranteed range for transportation & storage | |
| 10 | Polarity | Membrane move forward when positive DC is applied to the '+' terminal | |

| ITEM | TEST | TEST CONDITIONS | RESULT |
|------|-------------------------|--|--|
| 11 | Rub & Buzz | Rated Power Sin wave (speaker frequency range) | No Buzzes or Rattles. |
| 12 | High Voltage Resistance | 100VAC / 1mn between terminals and frame. | Must be normal |
| 13 | Insulation Resistance | 100VDC between terminals and frame. | ≥ 1MΩ |
| 14 | Load | White Noise at Rated Power for 96h | After 1 hour of rest at room ambient conditions, speakers must meet specs items 2, 5, 6. |
| 15 | High Temp. | +60±3°C for 96h (random 20%-50%RH) | |
| 16 | Low Temp. | -25±3°C for 96h (random 20%-50%RH) | |
| 17 | Humidity | +40±3°C ambient and 90%RH for 96h | |

Typical Frequency Response



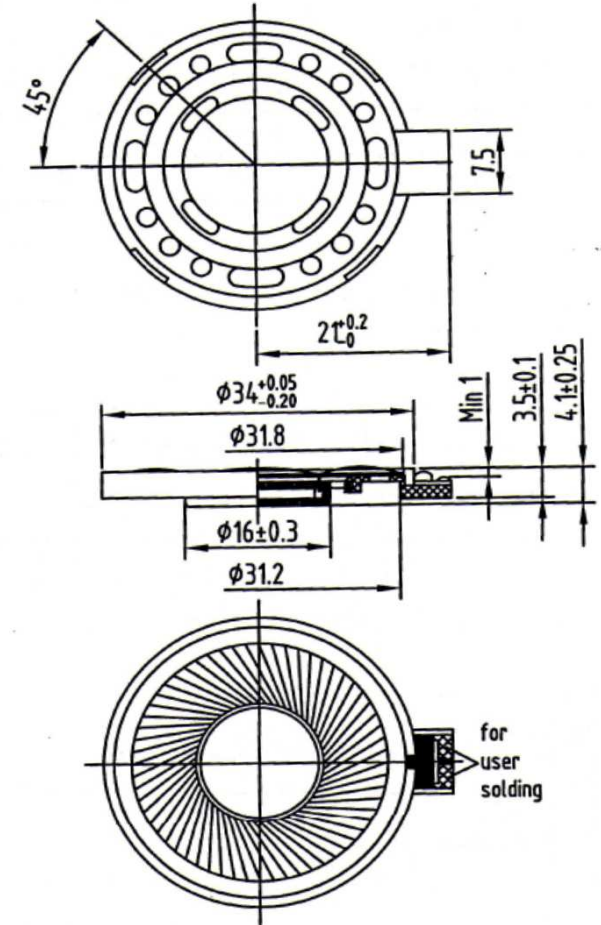
Measured on axis at a distance of 1m with 0.1W input power

Property of Seltech. Specifications subject to change without notice. www.seltech-international.com

| GASKET | MEMBRANE | BASKET | WEIGHT | REMARKS |
|--------|----------|--------|---------|------------------------|
| - | Plastic | ABS | 6 ±0,6g | with Top block contact |

| PACKAGING | SPECIFICATIONS | |
|---------------|----------------|--|
| Carton size: | 290x290x340mm | |
| Qty/Carton: | 500pcs | |
| Gross Weight: | 5.0Kg | |

Mechanical Drawings (in mm)



| Part n° | | | |
|------------------------|------------|--------|----------------|
| SOD02902Y50LCBT | | | |
| REV | DATE | SHEET | |
| 0.1 | 01/08/2017 | 1 of 1 | RoHS Compliant |